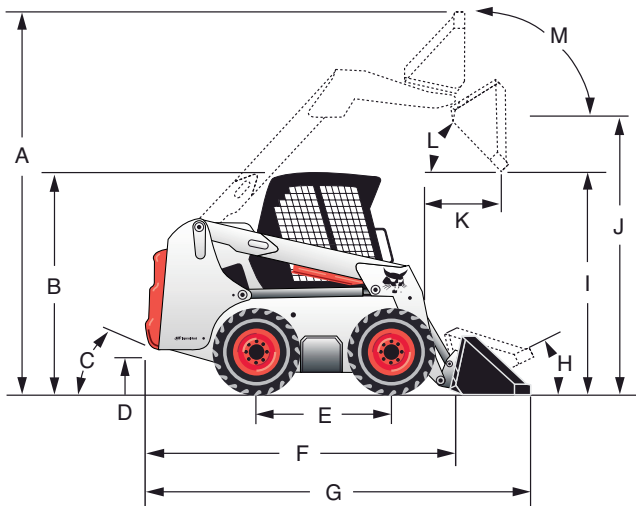
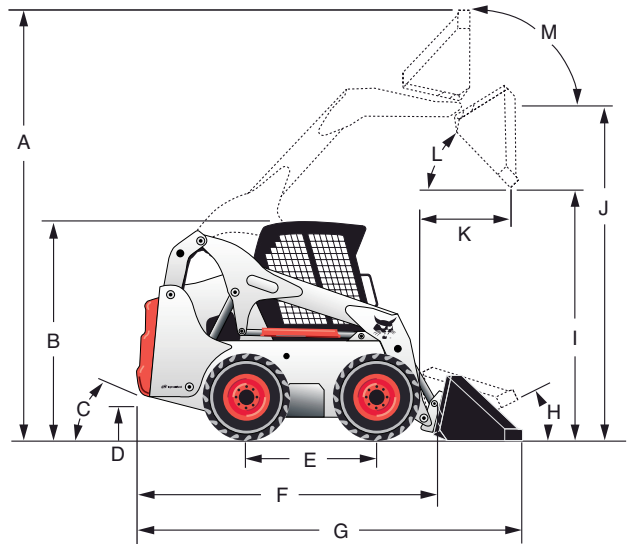


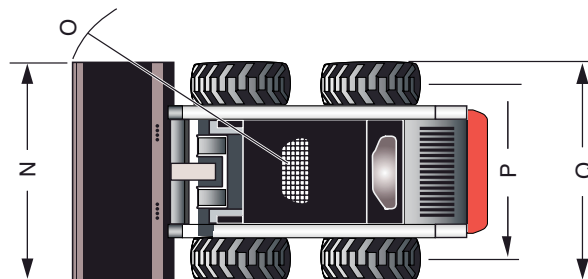
Specifications



Radius lift path: S220(H)



Vertical lift path: S250(H), S300(H), A300(H)



	S220/S220H	S250/S250H	S300/S300H	A300/A300H
A	3978	4079	4079	4079
B	2055	2055	2055	2055
C	25°	25°	25°	25°
D	216	216	221	221
E	1227	1227	1227	1227
F	2908	2908	2908	2908
G	3630	3630	3630	3630
H	30°	30°	30°	30°
I	2423	2517	2517	2517
J	3109	3272	3272	3272
K	549	859	859	859
L	41.1°	41.9°	41.9°	41.9°
M	90°	96.1°	96.1°	96.1°
N	1880	1880	2032	1880
O	2139	2139	2139	2139
P	1504	1504	1504	1580
Q	1829	1829	1829	1885

Machine rating	S220/S220H	S250/S250H	S300/S300H	A300/A300H
Rated Operating Capacity (ROC)	999 kg	1135 kg	1362 kg	1362 kg
Tipping load	2069 kg	2568 kg	2772 kg	2772 kg
Pump capacity	78.4 l/min / 151 l/min	78.4 l/min / 151 l/min	78.4 l/min / 151 l/min	78.4 l/min / 151 l/min
High flow hydraulics	Opt / Std	Opt / Std	Opt / Std	Opt / Std
System pressure	22.4-23.1 MPa	22.4-23.1 MPa	22.4-23.1 MPa	22.4-23.1 MPa
Travel speed (inching)	—	—	—	6.4 km/h
Travel speed (standard)	10.6 km/h	10.6 km/h	10.6 km/h	11.1 km/h
Travel speed (2 speed option (high range))*	18.5 km/h	18.5 km/h	18.5 km/h	19.1 km/h
Operating weight	3394 kg / 3414 kg	3549 kg / 3570 kg	3832 kg / 3860 kg	3934 kg / 3954 kg
Shipping weight	3018 kg	3181 kg	3363 kg	3538 kg

* optional for S220 / 250, std for S300, A300

Engine

Engine Kubota / Model	V3300-DI-T turbo	V3300-DI-T turbo	V3300-DI-T turbo	V3300-DI-T turbo
Fuel / Cooling	Diesel / Liquid	Diesel / Liquid	Diesel / Liquid	Diesel / Liquid
Type	Turbo	Turbo	Turbo	Turbo
Maximum power at RPM (ISO 9249)	54 kW / 2400	54 kW / 2400	58 kW / 2400	58 kW / 2400
Torque at RPM (SAE J1 995)	272 Nm / 1400	272 Nm / 1400	295 Nm / 1400	295 Nm / 1400
Number of cylinders / Displacement	4 / 3318 cm ³	4 / 3318 cm ³	4 / 3318 cm ³	4 / 3318 cm ³
Fuel tank capacity	87.1 l	87.1 l	87.1 l	87.1 l

Control options

Bobcat Std (foot pedals / steering levers)	Std	Std	Std	—
Advanced Control System (ACS)	Opt	Opt	Opt	—
Selectable Joystick Controls (SJC)	Opt	Opt	Opt	—
Joystick controls for SSL / AWS Mode	—	—	—	Std

Tyres

Heavy duty 12-16.5 — 12-ply	Std	Std	Std	Std
Heavy duty with offset rims 12-16.5 — 12-ply	—	Opt	Opt	—
Severe duty polly-filled 12-16.5 — 12-ply	Opt	Opt	Opt	Opt
Super float 33 x 15.5 - 16.5 — 12-ply	Opt	Opt	Opt	Opt
Severe duty 12 x 16.5 — 12-ply	Opt	Opt	Opt	Opt
Segmented 12 - 16.5	Opt	Opt	Opt	—
Segmented — industrial type 8.25 - 15	Opt	Opt	Opt	—
Turf and sand 33 x 15.5 x 16.5 — 12-ply	—	—	—	Opt

Machine features

Bob-Tach™ — mechanical coupler	Std	Std	Std	Std
Power Bob-Tach™ — hydraulic coupler	Opt	Opt	Opt	Opt
Operating lights, front and rear	Std	Std	Std	Std
Bobcat Interlock Control System (BICS)	Std	Std	Std	Std
Deluxe operator cab*	Std	Std	Std	Std
Cab enclosure with heat	Opt	Opt	Opt	Std
Cab enclosure with heat and air conditioning	Opt	Opt	Opt	Opt
Deluxe instrument panel	Opt	Opt	Opt	Opt
Pressure release hyd. quick couplers	Std	Std	Std	Std
Fingertip auxiliary control	Std	Std	Std	Std
CE certification	Std	Std	Std	Std
Warranty: 12 months or 2000 hours	Std	Std	Std	Std

* Roll Over Protective Structure (ROPS) - meets requirements of SAE-J1040 and ISO 3471;
Falling Object Protective Structure (FOPS) - meets requirements of SAE-J1043 and ISO 3449, Level I".